

PLC MINI

automatic pellet unit



PLC MINI range is a very compact and efficient model for pellet fuel.

The boiler construction is pressurized with tubed heat exchanger for bigger heated surface under reduced dimensions and smooth pellet burner operation.

The product is offered as a complete pellet unit including the boiler, pellet burner, feeder and incorporated pellet tank.

The door opening is reversible, it can be adjusted on both sides.

It offers easy cleaning and maintenance and comes with a big volume ash box under the boiler.

Fuels



pellet



Automatic power setup



Automatic ignition and flame supervision



Burner automatic cleaning system with compressed air



3 years warranty



Safety features and automatic error diagnosis

Main features

- Complete pellet unit with compact dimensions
- Incorporated silo positioned above the boiler
- Built-in controller with multiple functions and LCD screen
- Automatic cleaning by means of compressed air (additional compressor requested)
- Automatic power setup according to heat demand
- Automatic pellet feed according to power level
- Ceramic ignition element for long-life operation and fast ignition
- Control of central heating pump and hot water / buffer pump
- Temperature sensors for boiler and hot water temperature

BOILER CONTROLLER



Burner controller ensures the smooth and safe operation of the heating system. Compared with most pellet burners on the market, the controller is far more extensive in terms of function, possibilities and ease of use.



Automatic power level



Central heating pump



Hot water/buffer pump



Room thermostat

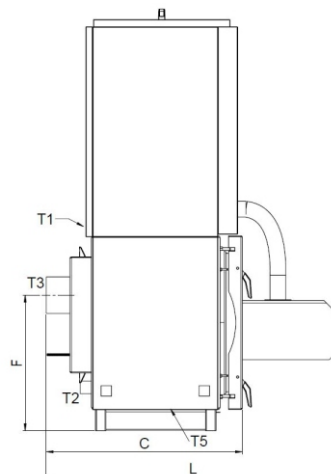
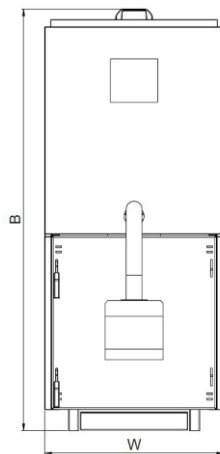


Alarm signals



- LCD screen (2x20 characters)
- 5 menus (A. Furnace settings, B. HUW settings, C. Burner settings, D. Device settings, E. Manufacturer settings)
- Five languages : English, Greek, Polish, German, Romanian
- Boiler/furnace temperature sensor
- HUW/buffer temperature sensor (optional)
- Electric cable for connecting CH pump
- Electric cable for connecting HUW/buffer pump (optional)
- Room thermostat connection
- Accoustic alarm outputs in case of error
- Diagnosis of errors
- 4A fuse for high voltage protection
- Built-in flash memory maintains programme settings and safety functions in case of power failure
- Automatic restart of the burner in case of a power failure

TECHNICAL DATA



T1 - Outlet
T2 - Return
T5 - Drainage
T3 - Chimney connection

Type			PLC MINI 25	PLC MINI 35	PLC MINI 50
Nominal power	kW		25	35	50
Efficiency	%		91	91	91
Temperature max	°C		90	90	90
Pressure max	bar		3	3	3
Water content	lit		80	100	140
Weight	kg		250	300	470
Electrical connection	V/Hz		230/50	230/50	230/50
Dimensions	B	mm	1600	1600	1800
	W	mm	690	690	850
	C/L	mm	745/1310	845/1310	995/1310
	F	mm	515	515	600
	T1-T2	inch	1 ¼"	1 ¼"	1 ½"
	T3	mm	Ø160	Ø160	Ø200
	T5	inch	¾"	¾"	¾"